

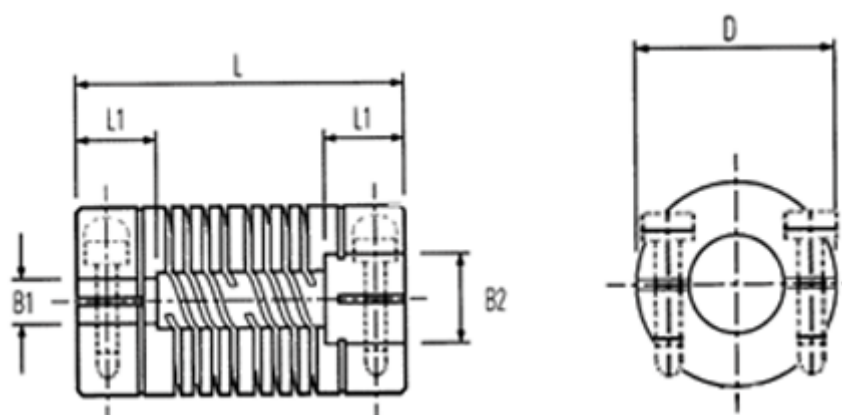
Data Sheet



Article number: 339707130000

Description: Multibeam 6 Coupling 707.13.0000
Aluminium relieved & clamp hubs

Measures



| | | |
|--------------------------|--------|-------------------------------|
| B2: Pre-drilled | = 3.0 | Max parallel displacement = 5 |
| B2: Pre-drilled | = 5.00 | Peak Torque NM = 2.00 |
| Cap screw | = M2 | |
| D | = 12.7 | |
| L | = 22.9 | |
| L1 | = 6.5 | |
| Max angular displacement | = 0.17 | |
| Max B1 & B2 | = 6.35 | |